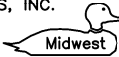


WIRE RANGE TABLE :

CONNECTOR	COPPER		ALUMINUM	
	SOLID	STRAND	SOLID	STRAND
LINE	14-8	14-1/0	12-8	12-1/0
LOAD	14-10	14-10	---	---
NEUTRAL	14-4	14-4	14-4	14-4
POST LINE CONNECTORS SUITABLE FOR LOOP FEED	#6-350 KCMIL		#6-350 KCMIL	
EQUIP. GRND. POST	14-2/0	14-2/0	14-2/0	14-2/0

NOTES: EARTH BURIAL POST

MIDWEST ELECTRIC
PRODUCTS, INC.
Mankato, MN



Dr. By: JDE
Ck. By:
CR: R0746956

* = Critical To Quality
Unless Otherwise Specified
AutoCad Generated

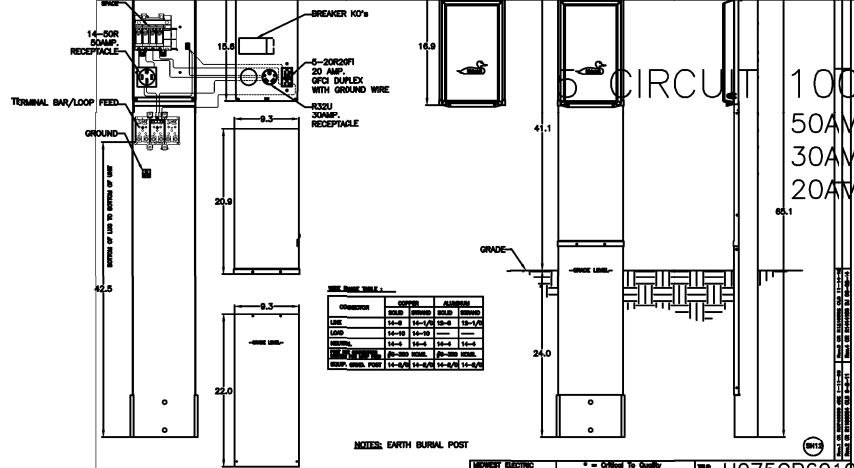
Tolerances On:
3 Pl. Decimals ± .010
2 Pl. Decimals ± .030
Fractions ± 1/32
Angles ± 1/2°
Holes ± .003
Dimensions Are In Inches

SCALE 1 : 1
SIZE A
SHEET 1 OF 1

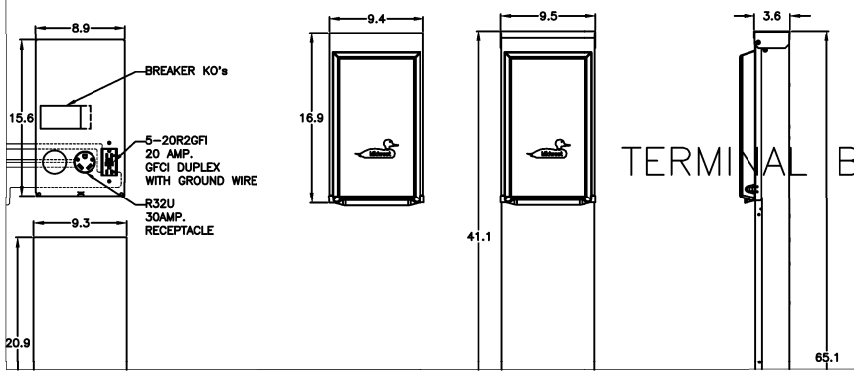
TITLE: U075CP6010
OUTLINE DRAWING
DWG NO: 198B8604

SH12

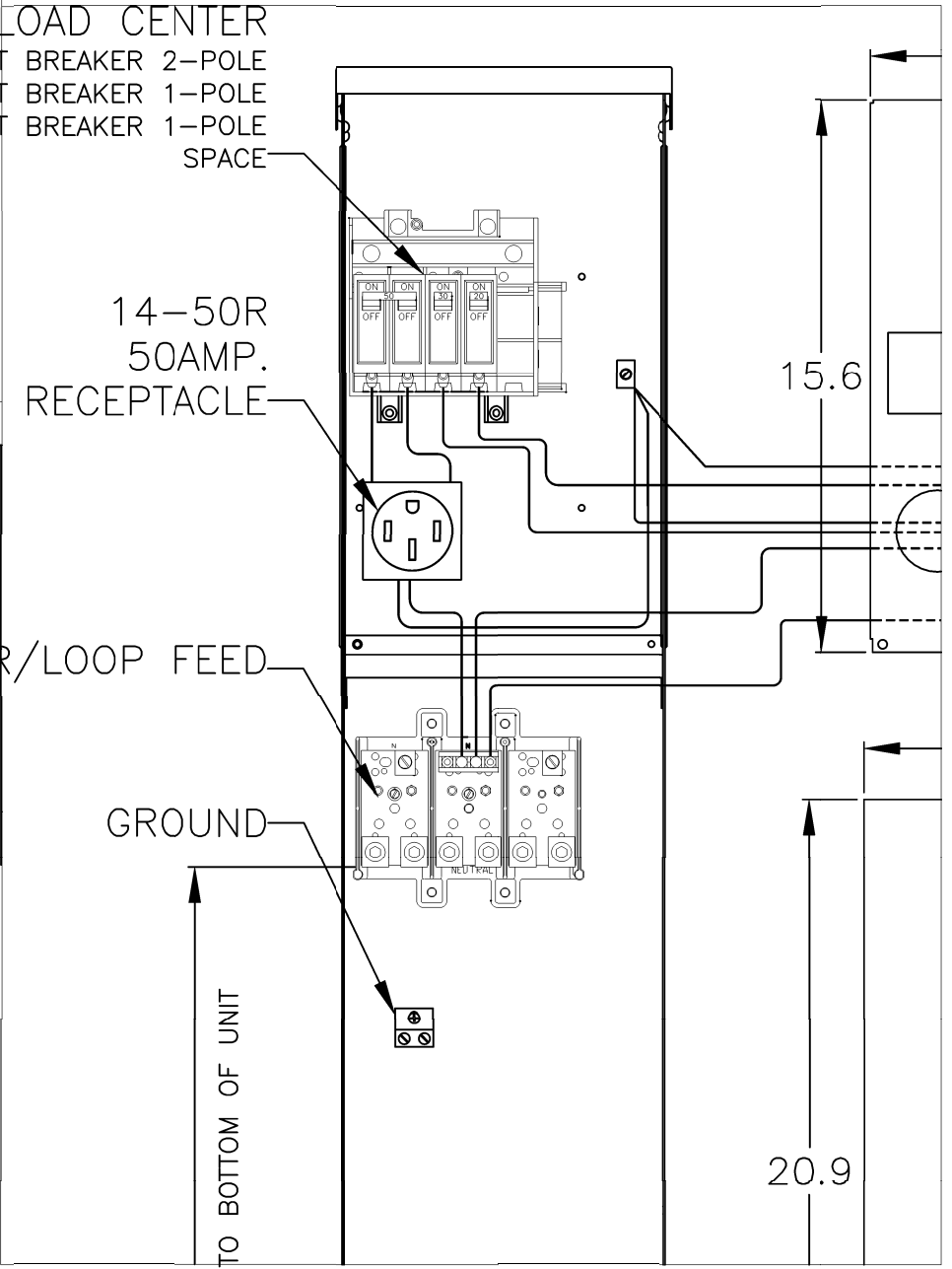
Rev.1 CR R0746956 JDE 1-11-08
Rev.2 CR R1106094 CLS 9-2-11
Rev.3 CR R1219362 CLS 11-14-12
Rev.4 CR R1414156 DJ 06-02-14



5 CIRCUIT 100AMP. LOAD CENTER
 50AMP CIRCUIT BREAKER 2-POLE
 30AMP CIRCUIT BREAKER 1-POLE
 20AMP CIRCUIT BREAKER 1-POLE
 SPACE



TERMINAL BAR/LOOP FEED



14-50R
 50AMP.
 RECEPTACLE

GROUND

BOTTOM OF LUG TO BOTTOM OF UNIT