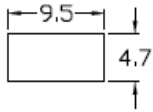
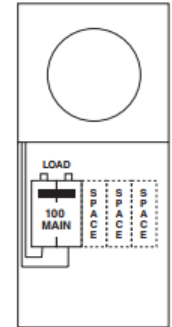


### Top View



### Configuration



### Front View Interior

### Front View Inside Cover

### Front View External # 1

### Front View External # 2

### Side View

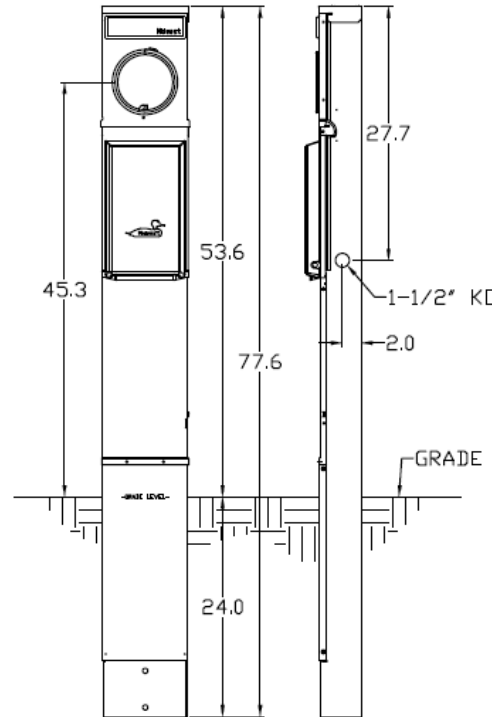
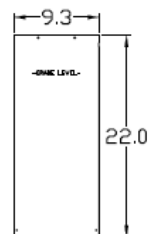
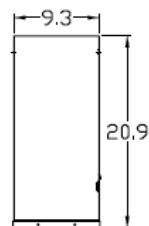
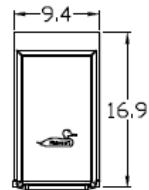
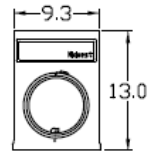
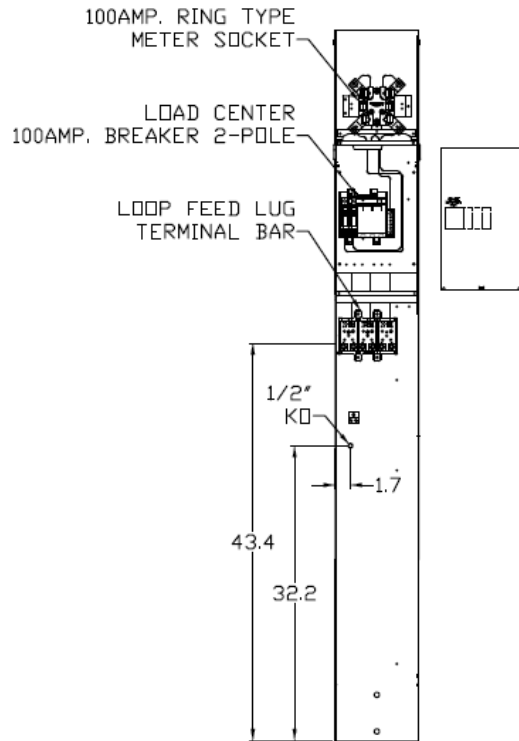


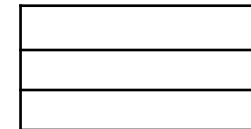
Fig. A  
M101CP6, R101CP6  
Series

### Wire Range Size

#### WIRE RANGE TABLE

CONNECTOR	COPPER		ALUMINUM	
	SOLID	STRAND	SOLID	STRAND
LINE	—	6-1/0	—	6-1/0
LOAD	14-8	14-1/0	12-8	12-1/0
NEUTRAL LARGE HOLE	12-8	12-1/0	12-8	10-1/0
NEUTRAL SMALL HOLE	14-8	14-4	12-8	12-4
SOIL LUG APPROXIMATE BUDGET FOR LOOP FEED	\$6-350 KENDL		\$6-350 KENDL	
EQUIP GROUND POST	14-2/0	14-2/0	14-2/0	14-2/0

### Receptacles



### Circuit Protection

THQL21100



MIDWEST SERVICE EQUIP 100A METERED EARTH BURIAL POST 120/240V 3 SPACES N3R UL LISTED

CAT NO	DWG DATE	REV #
M101CP6	11/6/2017	01