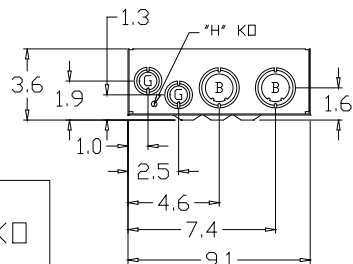
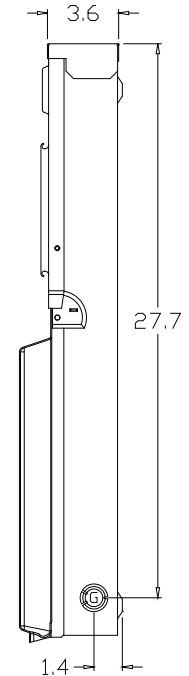
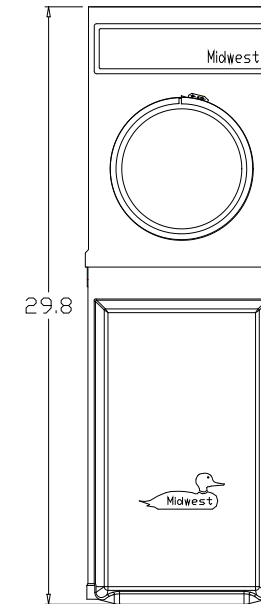
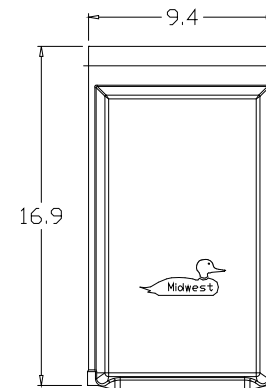
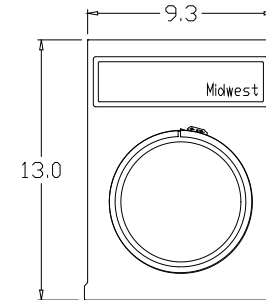
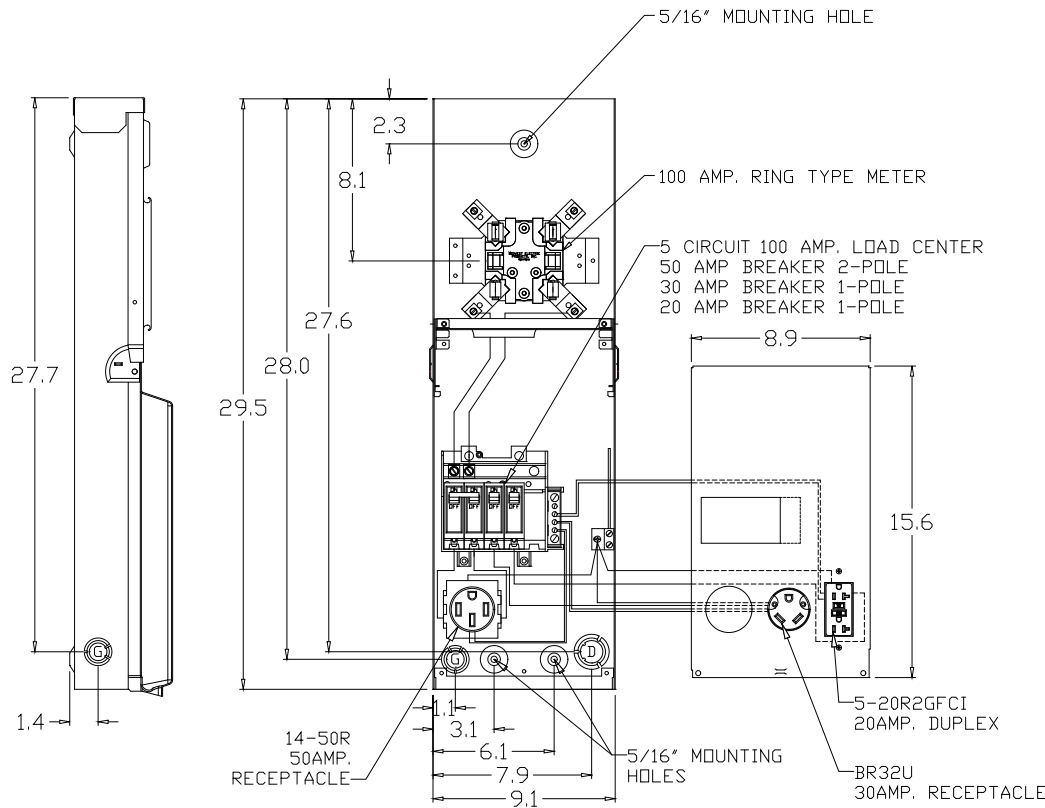


WIRE RANGE TABLE :

CONNECTOR	COPPER		ALUMINUM	
	SOLID	STRAND	SOLID	STRAND
LINE	---	6-1/0	---	6-1/0
LOAD	14-10	14-10	---	---
NEUTRAL	LARGE HOLE 12-8	12-1/0	10-8	10-1/0
NEUTRAL	SMALL HOLE 14-8	14-4	12-8	12-4
EQUIP. GRND.	12-8	12-2	12-8	12-2



KNOCKOUT TABLE:

- G= 1/2", 3/4", 1" KO
- B= 1", 1-1/4", 1-1/2" KO
- D= 3/4", 1", 1-1/4" KO
- H= 9/32" KO



www.bbelec.com
888.391.3802

MIDWEST ELECTRIC PRODUCTS, INC.
Mankato, MN



Dr. By: JDE
Ck. By:
CR: R0746956

* = Critical To Quality
Unless Otherwise Specified
AutoCad Generated
Tolerances Dn:
3 Pl. Decimals ± .010
2 Pl. Decimals ± .030
Fractions ± 1/32
Angles ± 1/2°
Holes ± .003
Dimensions Are In Inches

SCALE 1 : 1
SIZE A
SHEET 1 OF 1

TITLE: M075C010
OUTLINE DRAWING
DWG NO: 265A6227