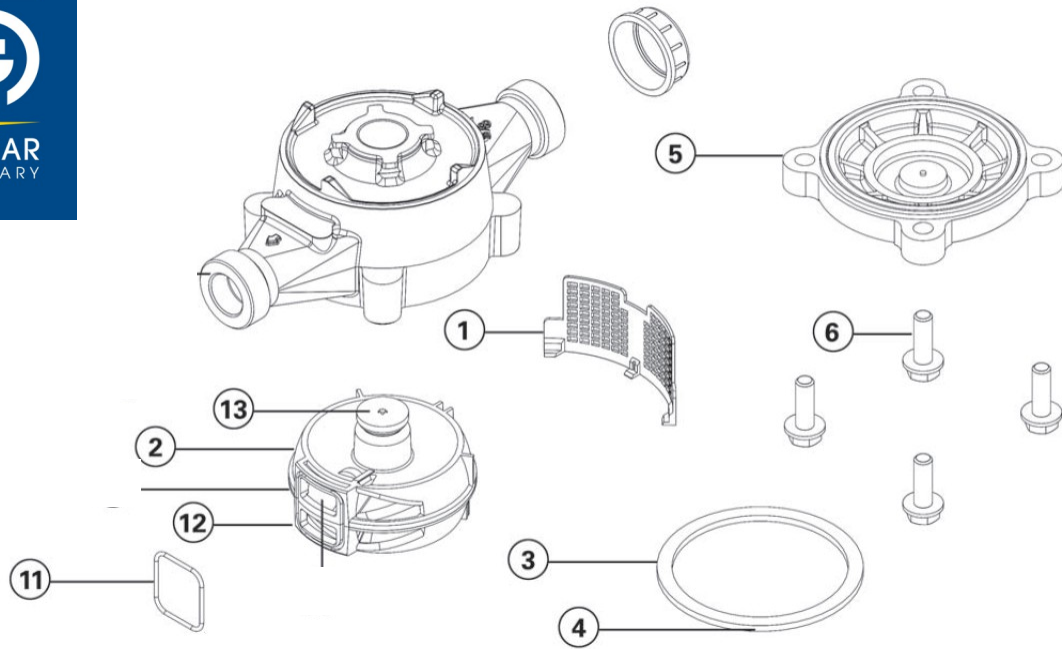




Water Meter Parts



PARTS:

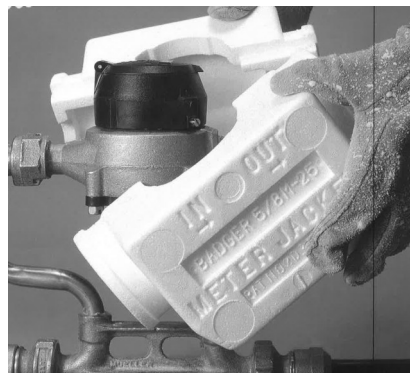
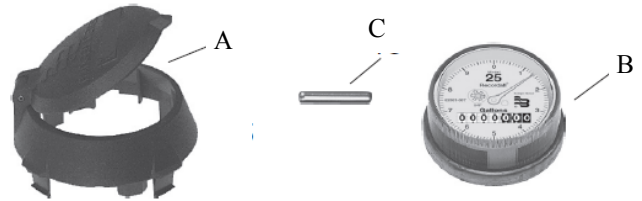
- Strainer 1
- Chamber Complete: 2
*Includes thrust roller #7, diaphragm #10,
 O-ring # 11, drive shaft #12, magnet #13*
- Bottom Plate Kit: 3, 4, 5
*Includes gasket, liner, and bottom plate
 (polymer or brass)*
- Screws & Washers for Bottom Plate 6
- O Ring 11
- Drive Shaft 12
- Magnet 13



Remote Reader *aka* Remote Register—Read out in gallons or cubic feet

PARTS:

- Register Box with Lid A
- Register Assembly B
- Hinge Pin for Register C



Styrofoam Meter Jacket