

LOAD CENTER  
50AMP. BREAKER 2-POLE  
30AMP. BREAKER 1-POLE  
20AMP. BREAKER 1-POLE

14-50R  
50AMP.  
RECEPTACLE

LOOP FEED LUG  
TERMINAL BAR

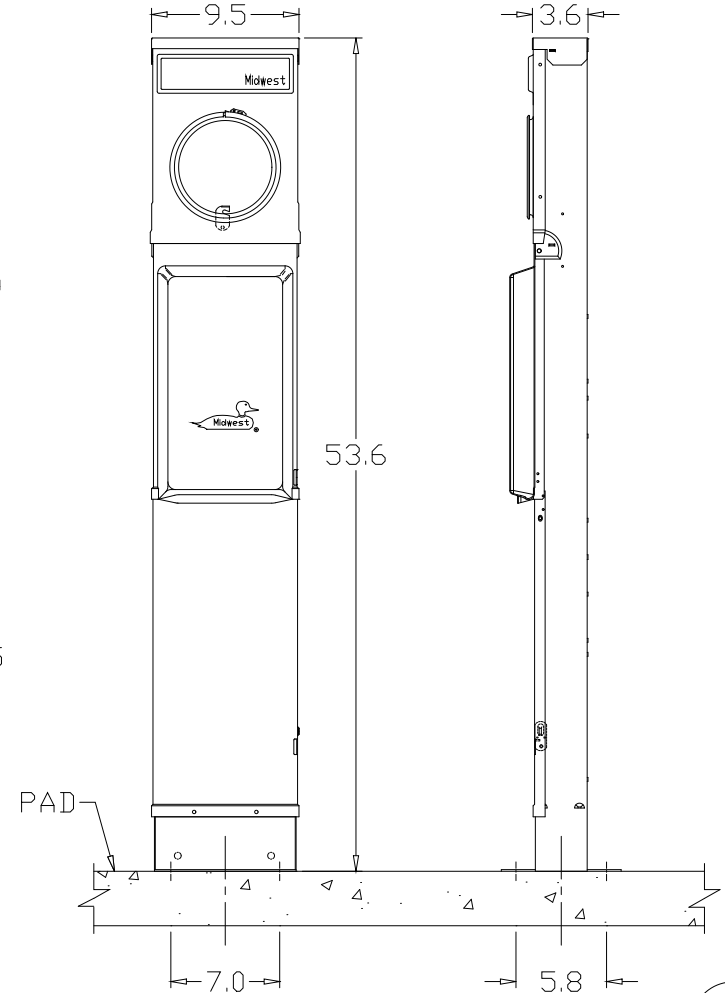
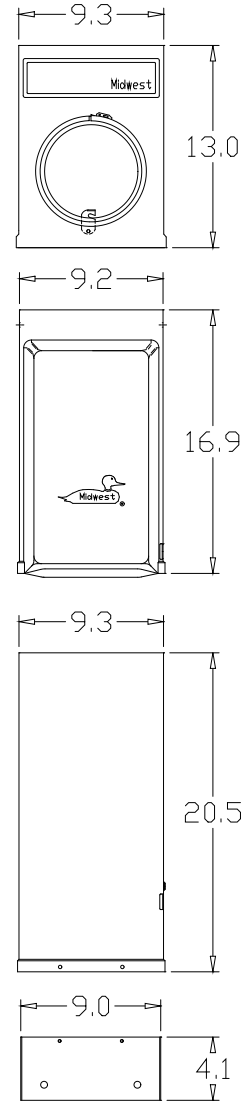
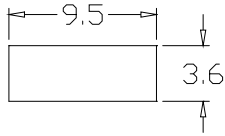
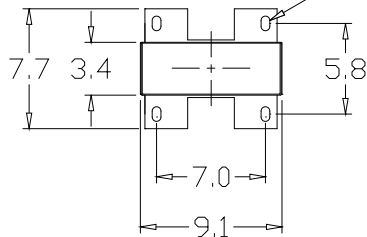
19.4

100AMP. RING TYPE  
METER SOCKET

5-20R2GFI  
20AMP.  
GFI DUPLEX

R32U  
30AMP.  
RECEPTACLE

1/2" MOUNTING  
HOLE (4X)



WIRE RANGE TABLE

CONNECTOR	COPPER		ALUMINUM	
	SOLID	STRAND	SOLID	STRAND
LINE	---	6-1/0	---	6-1/0
LOAD	14-10	14-10	---	---
NEUTRAL	14-4	14-4	14-4	14-4
EQUIP. GRND.	12-8	12-2	12-8	12-2
POST LINE CONNECTORS SUITABLE FOR LOOP FEED	#1-300 KCMIL		#1-300 KCMIL	
EQUIP. GRND.	12-2	12-2	12-2	12-2

NOTES: PAD MOUNTED POST

SH53

MIDWEST ELECTRIC  
PRODUCTS, INC.  
Mankato, MN

\* = Critical To Quality  
Unless Otherwise Specified  
AutoCad Generated  
Tolerances On:  
3 Pl. Decimals ± .030  
2 Pl. Decimals ± .030  
Fractions ± 1/32  
Angles ± 1/2"  
Holes ± .003  
Dimensions Are In Inches

SCALE 1:1  
SIZE A  
SHEET 1 OF 1

TITLE: M075CP4010  
OUTLINE DRAWING  
DWG NO: 198B8604