

Provide access to **permanent electric service** to your home sites prior to rough framing.



Forget about costly generator rentals or maintenance.

Eliminate need to illegally piggyback power.

Avoid costly down times and delays.

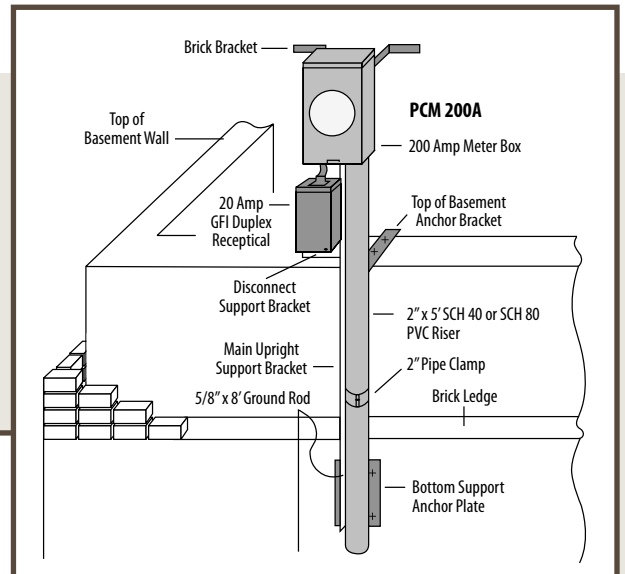
A PCM (Preconstruction Meter Mount) provides underground electrical service during the early construction phase of home building. It can be installed after the building foundation is completed and back-filled. A PCM eliminates the need for a temporary service installation because the same unit ultimately becomes the permanent service installation.

All you need to do is order the patented B & B Electrical PCM when you request underground service from your local utility or electrical contractor.

The patented PCM from B & B Electrical provides a support system, a riser pipe, a meter socket and a 1 or 2 duplex receptacle power panel. The PCM allows the underground contractor or electrical contractor to easily attach the unit to a basement wall or slab. The permanent service is then brought into the PCM and power is immediately available for use.

PCM 200A

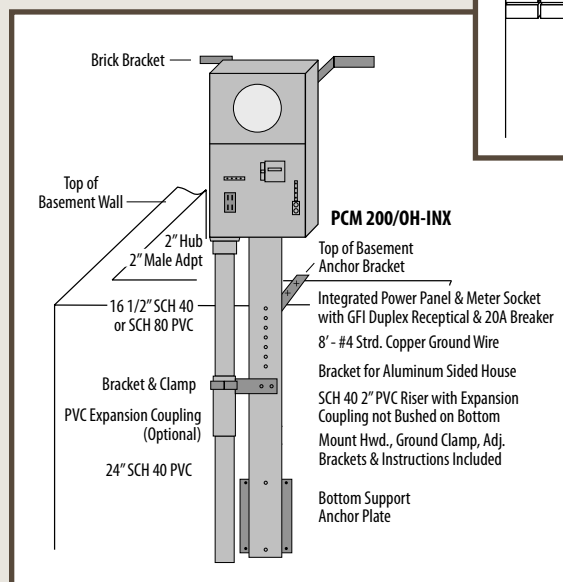
The PCM 200A has a power panel with a 1 or 2 - 20 amp, 1 pole breaker and 1 or 2 - GFI duplex receptacles. After rough installation, the power panel is removed and can be returned for credit.



B & B Electrical offers various patented PCM solutions. Need is determined by the requirements of your local utility.

PCM 200/OH-INX

The PCM 200/OH-INX has a power panel with a meter socket, a 100, 150 or 200 amp main breaker and 1 or 2 - 20 amp, 1 pole breaker and GFI receptacles. After rough installation, no removal is necessary because the main breaker in the PCM acts as the main power source for the home.



For quotes, specifications and answers to your questions, please contact B&B Electrical.

Toll Free 1-888-391-3802
248-391-3800
Fax 248-391-0207
sales@bbelelec.com

Visit us online at
www.bbelelec.com